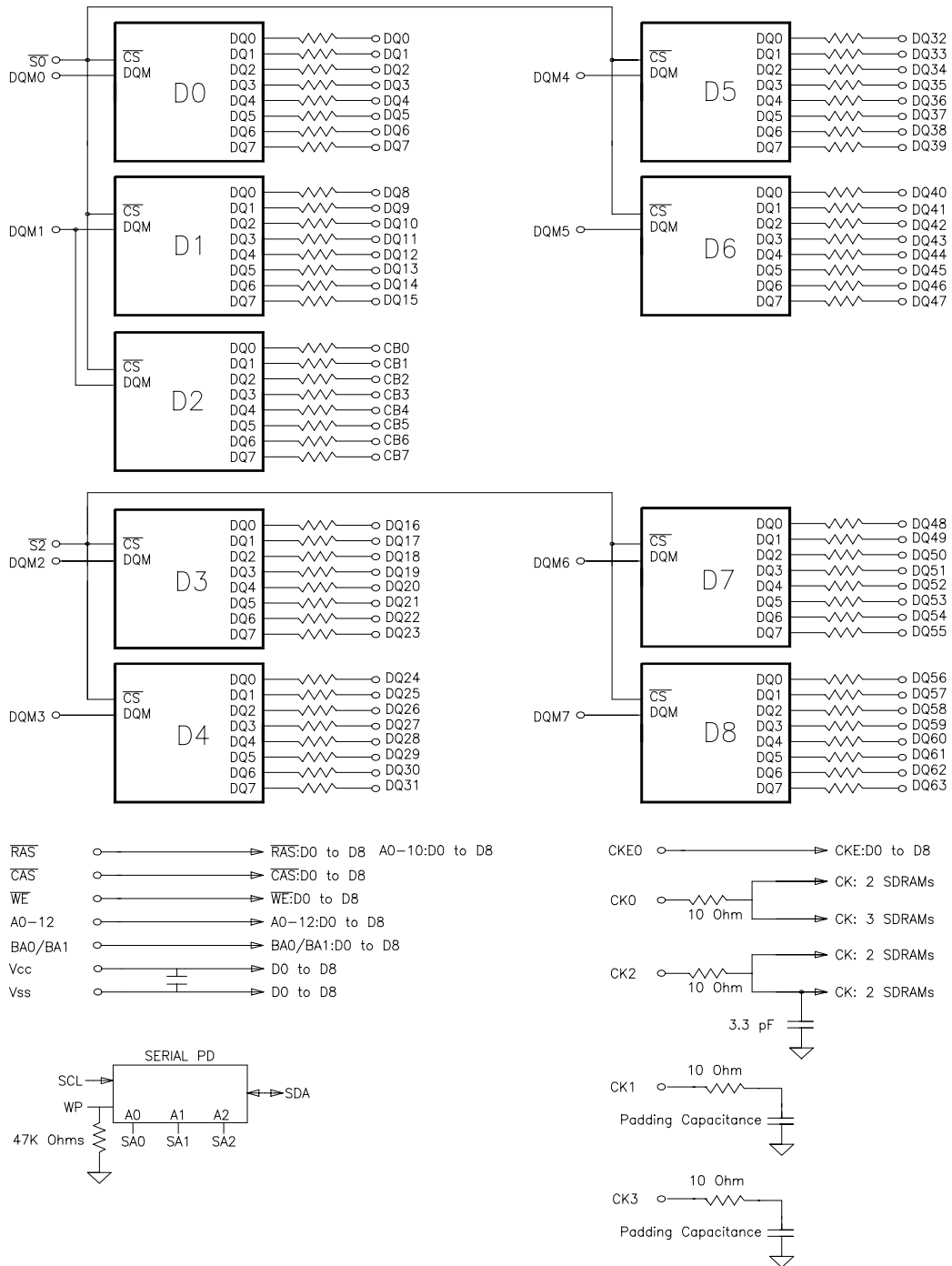


Functional Block Diagram



Note : The serial resistor values of DQs are 10ohms